

Glendale Electronic Components Pte Ltd

OUR CORPORATE PROFILE

Glendale Electronic Components Pte Ltd

Our Mission

**“To Provide And Manage
Engineering Solutions
To Satisfy Our Global Customer’s
Current And Future Needs
Through Our Reliable
Products and Services”**

Glendale Electronic Components Pte Ltd

Our Background

Established In : 29 March 1983
Authorized Capital : S\$1,000,000.00
Paid-up Capital : S\$1,000,000.00
Office location : 621 Aljunied Road
#05-01 Lipo Building
Singapore 389834
Office cum Factory : 7,000 sq. ft.

Glendale Electronic Components Pte Ltd

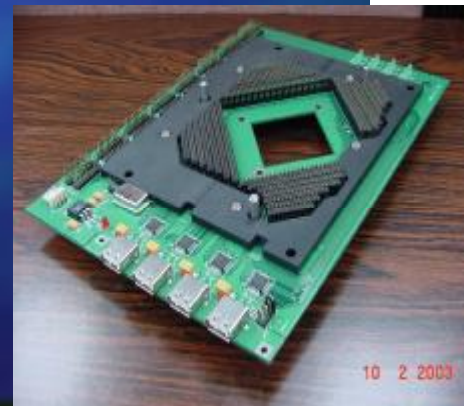
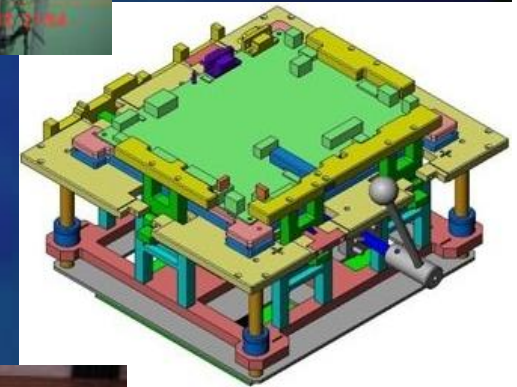
Our Structure



Glendale Electronic Components Pte Ltd

Our Core Competencies

- Functional Tester Design
- Jig and Fixture Design
- PCB Layout Design
- Prototyping Services
- Global Purchasing Services



Glendale Electronic Components Pte Ltd

Our Value Added Services



Printed Circuit Board Assembly

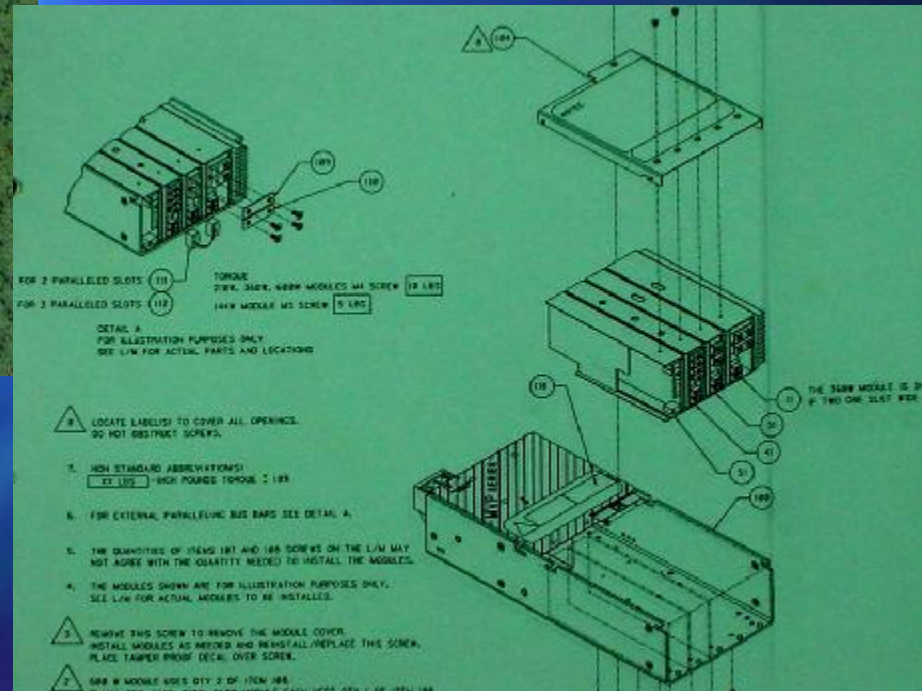
- Pre-Production Build To
Mass Production Quantity
with Box Build Capability

Glendale Electronic Components Pte Ltd

Our Value Added Services



Product Box Build Services



Glendale Electronic Components Pte Ltd

Our Value Added Services

Product Testing Services



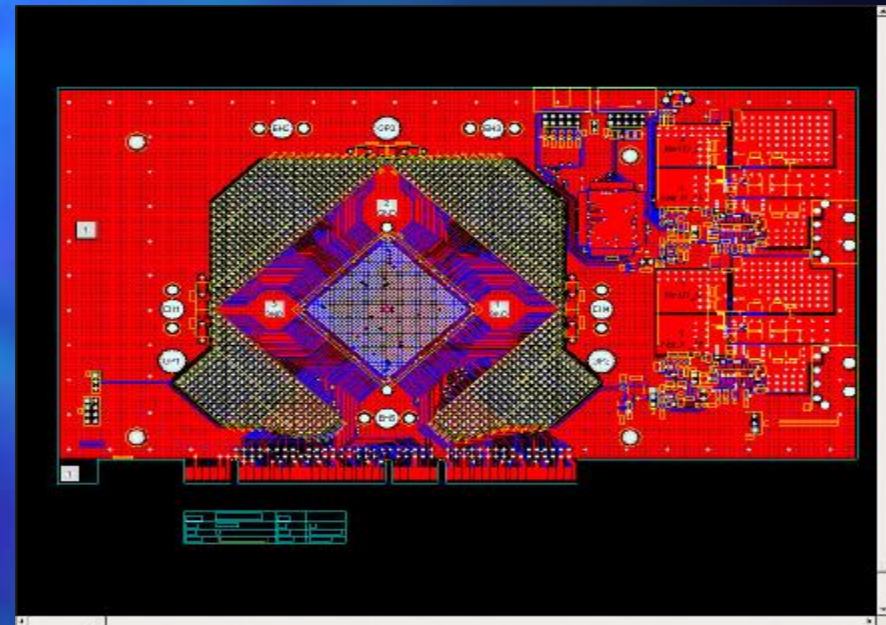
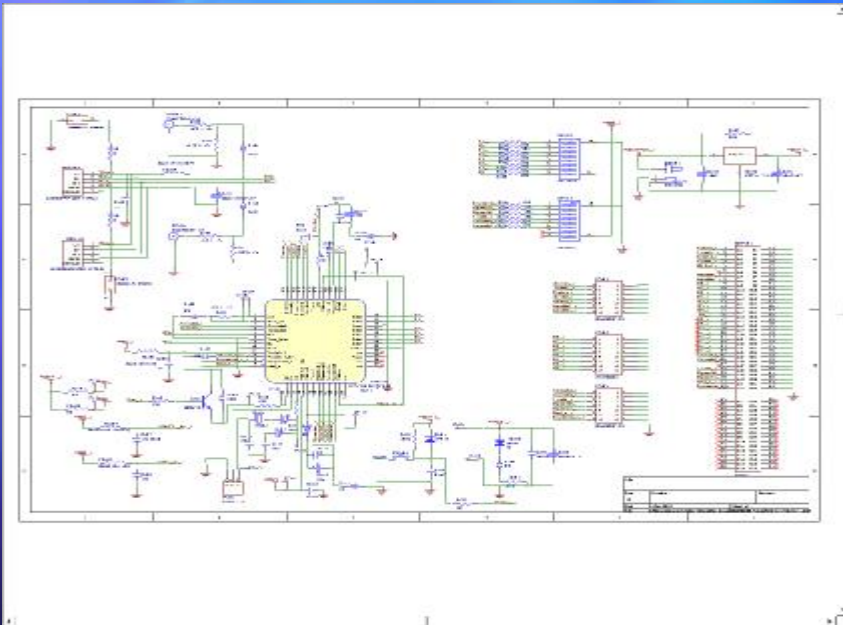
Glendale Electronic Components Pte Ltd

Our Broadband services cover

- ' **Building Automation Industry**
- ' **Optics and Communication Industry**
- ' **Semiconductor Industry**
- ' **Test & Measurement Industry**
- ' **Consumer Industry**

Glendale Electronic Components Pte Ltd

PCB CAD Capabilities



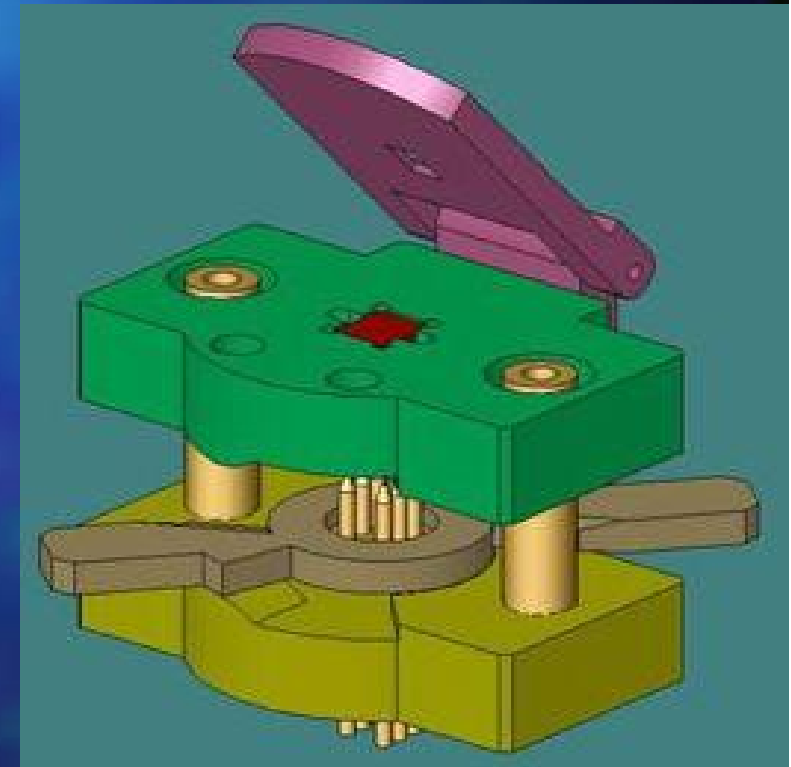
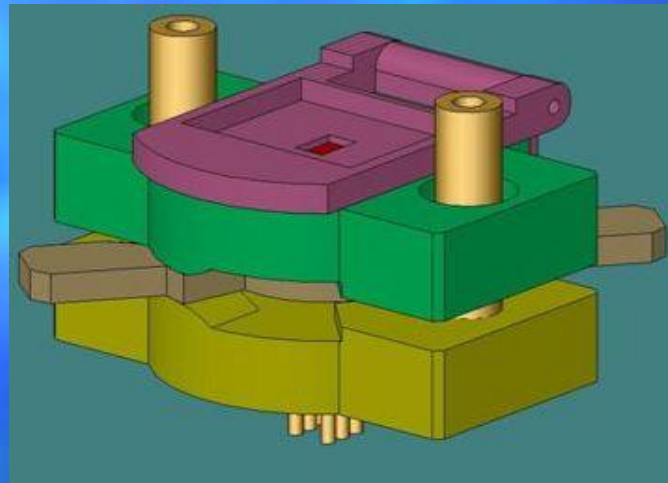
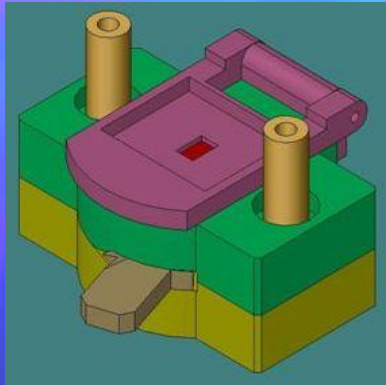
4 Provide PCB Layout Designs from Single Sided To 12 Layers.

4 Proficiencies in design for application in PCI, USB, Optics and

etc...

Glendale Electronic Components Pte Ltd

Mechanical Capabilities



4 Provide customize and conceptual design to customer

Glendale Electronic Components Pte Ltd

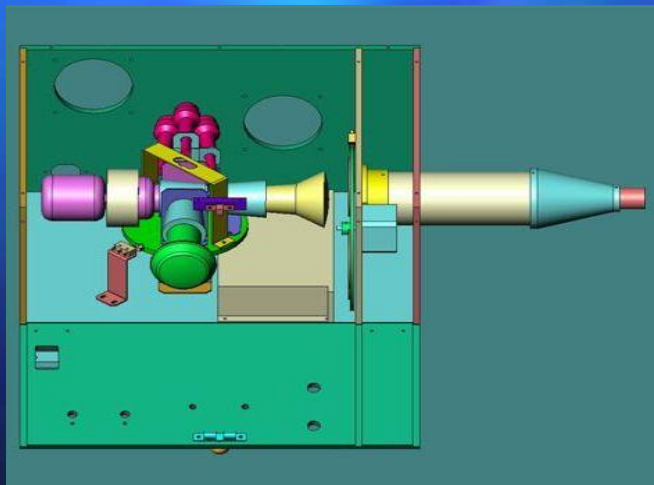
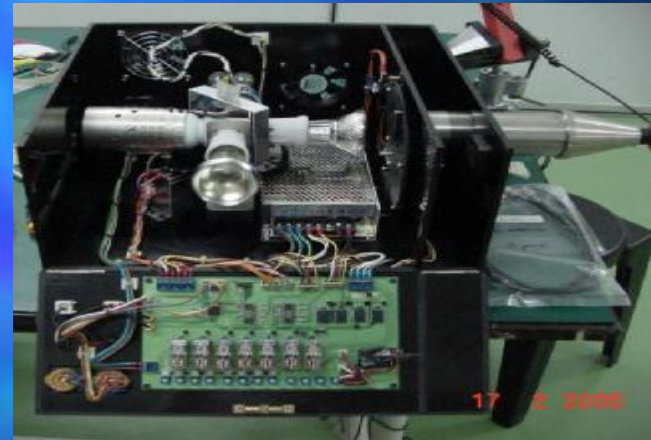
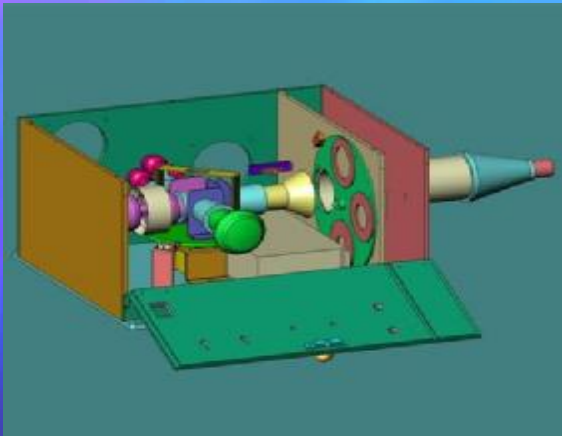
Mechanical Capabilities



4 Provide customize and conceptual design to customer

Glendale Electronic Components Pte Ltd

Engineering Services



Convert initial design concept into product

Glendale Electronic Components Pte Ltd

Functional Circuit Tester



Design and build dedicated Functional Circuit Tester

Glendale Electronic Components Pte Ltd

Customize Test Fixture



Glendale Electronic Components Pte Ltd

Materials Capabilities



4

**Components sourcing
for customers through our
established world wide
contacts.**

Glendale Electronic Components Pte Ltd

Materials Capabilities



- 4 Provide full or partial turnkey basis for customers products
- 4 Provide Inventory & Bill of Material Management for Customers products

Glendale Electronic Components Pte Ltd

Manufacturing Capabilities



**4 Handled both PTH & SMT components in our PCB
Assembly Services**

**4 Provide short fabrication lead-time for our
prototyping services**

Glendale Electronic Components Pte Ltd

Manufacturing Capabilities



4 Provide Engineering
CHANGES on our
Customers Products

4 Provide Testing and
Release on our
customers Products

Glendale Electronic Components Pte Ltd

Program Management Capabilities

Managed customers' high

PCB / PCBA Production

quantities through our

strategic partners



Glendale Electronic Components Pte Ltd

Thank You